

GEMCO VALVE

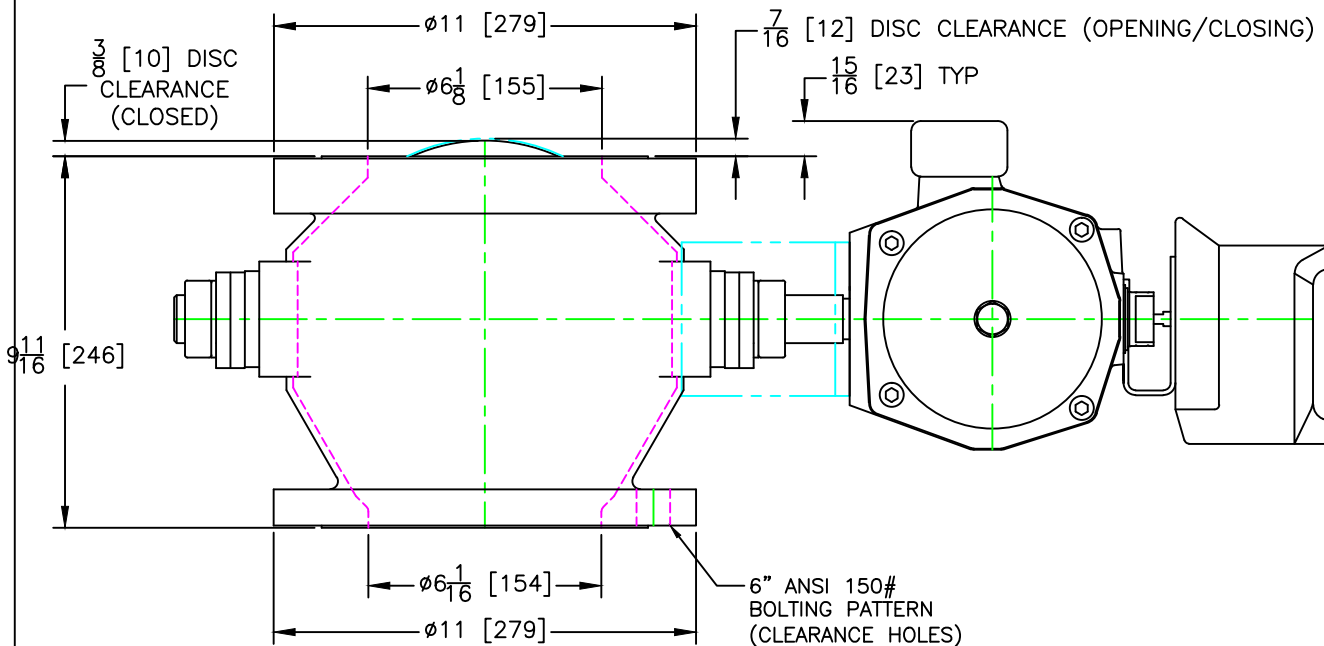
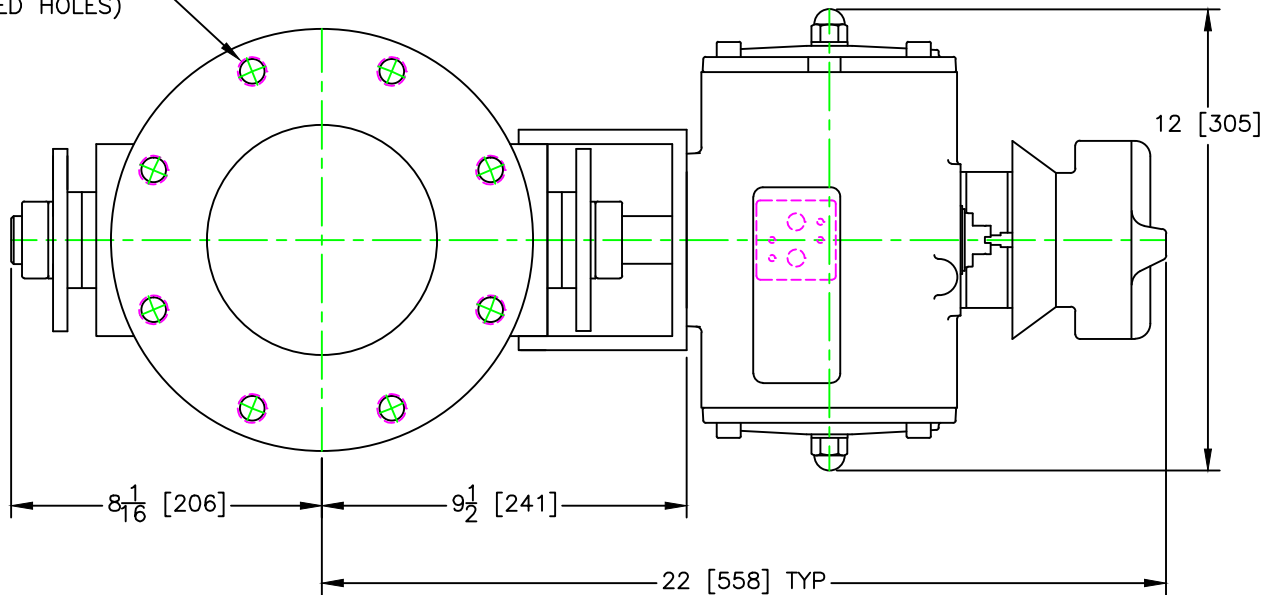
6" 'P21' Valve

January 2014

Size: A

Scale 1:5

6" ANSI 150#
BOLTING PATTERN
(TAPPED HOLES)



APPROXIMATE WEIGHT: 160 lbs / 70 kg