

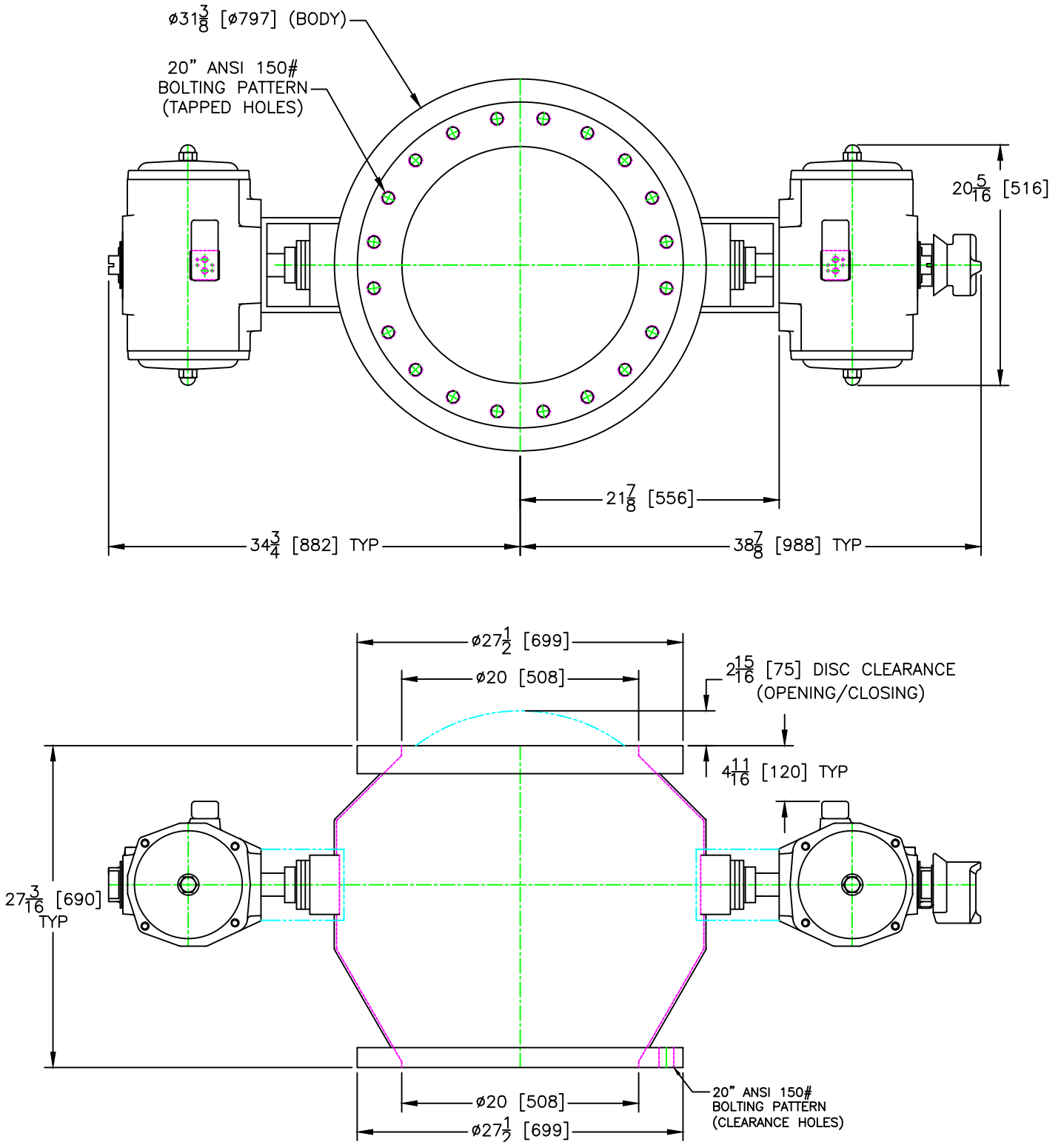
GEMCO VALVE

# 20" 'P21' Valve

February 2014

Size: A

Scale 1:12



APPROXIMATE WEIGHT: 1000 lbs / 450 kg