

GEMCO VALVE

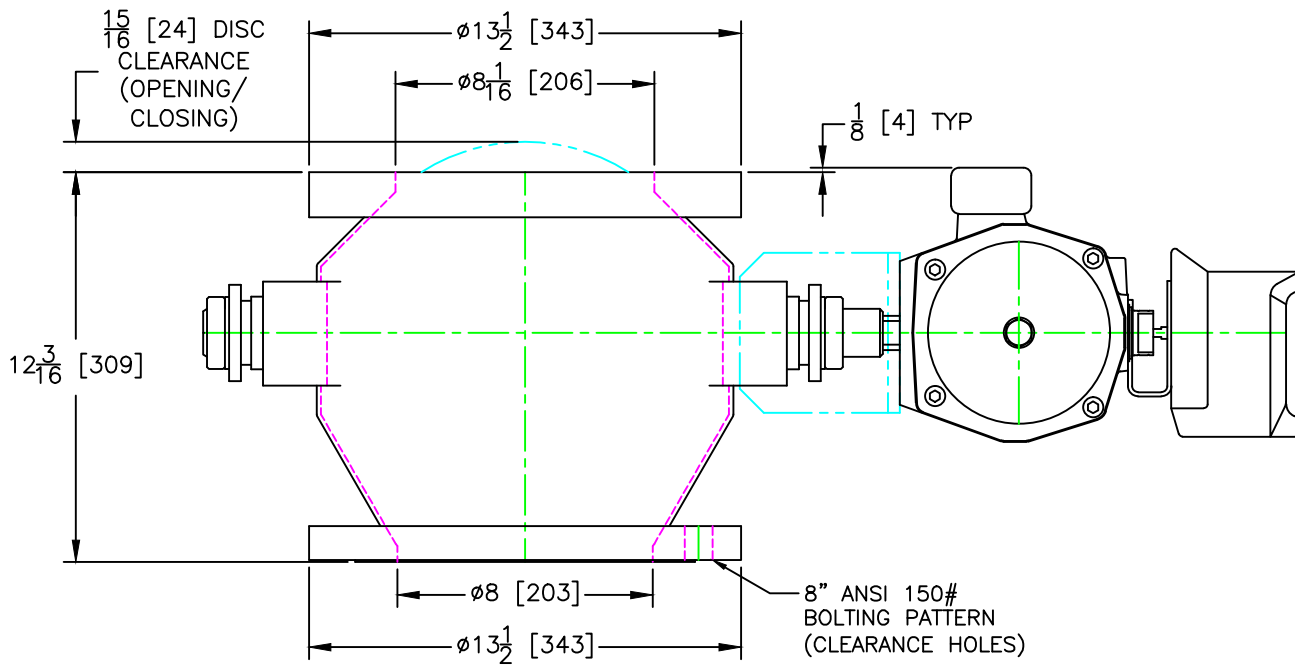
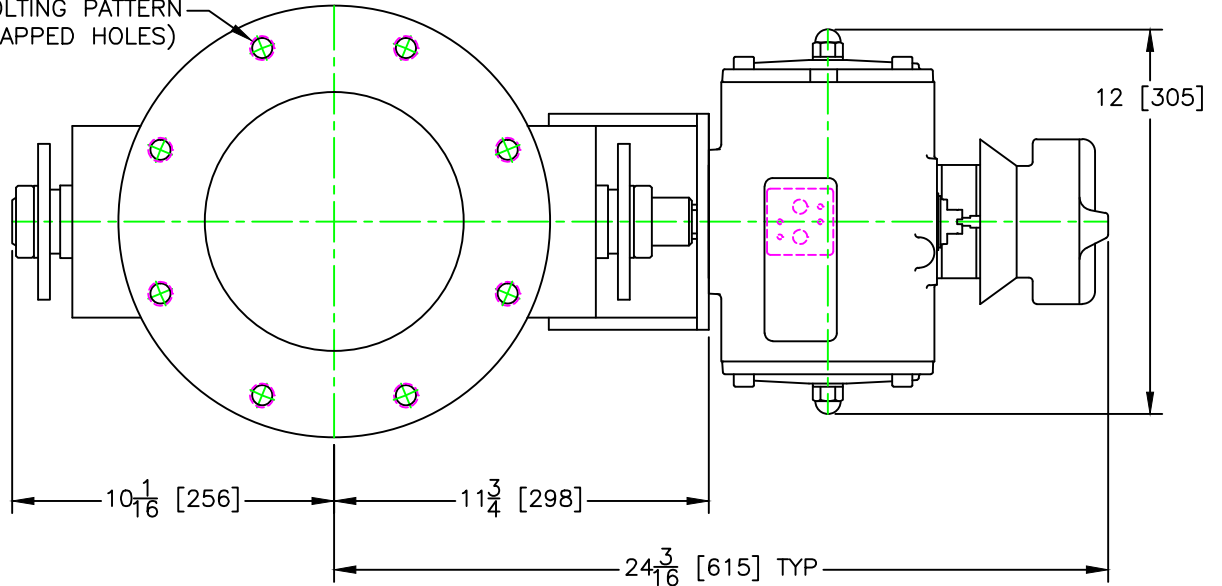
# 8" 'P21' Valve

January 2014

Size: A

Scale 1:6

8" ANSI 150#  
BOLTING PATTERN  
(TAPPED HOLES)



APPROXIMATE WEIGHT: 220 lbs / 100 kg